

Neo™ Universal Valve Trim

FEATURES:

- Metal lever handle
- Plastic trim plate
- Configurable red and blue hot/cold indicator buttons
- Includes mounting plate and hardware

VALVE OPTIONS:

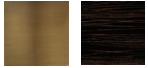
- Retrofittable to:
 - Kohler® Rite-Temp® K-304-KS valve
 - Moen® PosiTemp® 62370 valve
 - Delta® R10000-UNWS valve
 - Symmons® 46-2-X-BODY Temptrol® valve

STOCK FINISH:



PC BN MB

SPECIALTY FINISHES:



BBZ ORB

STANDARDS:

- ASME A112.18.1/CSA B125.1 certified
- ADA compliant

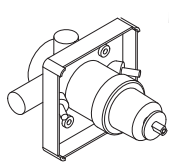


WARRANTY:

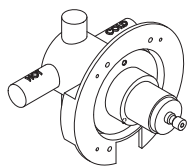
Visit www.speakman.com for full product warranty information

- Limited Lifetime Warranty (consumer)
- 5 Year Limited Warranty (commercial)

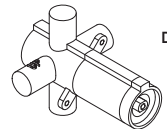
Retrofits to:



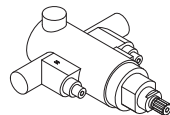
MOEN® Posi-Temp®
2510
2520
2570
2580
2590



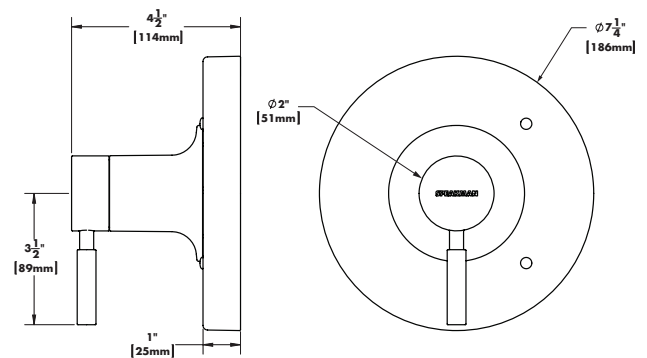
KOHLER® Rite-Temp®
K-304-CS-NA
K-304-CX-NA
K-304-PS-NA
K-304-PX-NA
K-304-US-NA
K-304-UX-NA
K-304-K-NA
K-304-KS-NA



DELTA® MultiChoice®
R10000-UNBX
R10000-UNBXH F
R10000-UNWS
R10000-UN
R10000-UNWSHF



SYMMONS® Temptrol®
4000-BODY
4000-X-BODY
46-2-X-BODY



All dimensions are in inches (millimeters) unless otherwise specified and are subject to change without notice.

Architect/Engineer Approval Space:

P: 800-537-2107
F: 800-977-2747
W: WWW.SPEAKMAN.COM
R: 06-APRIL 2022